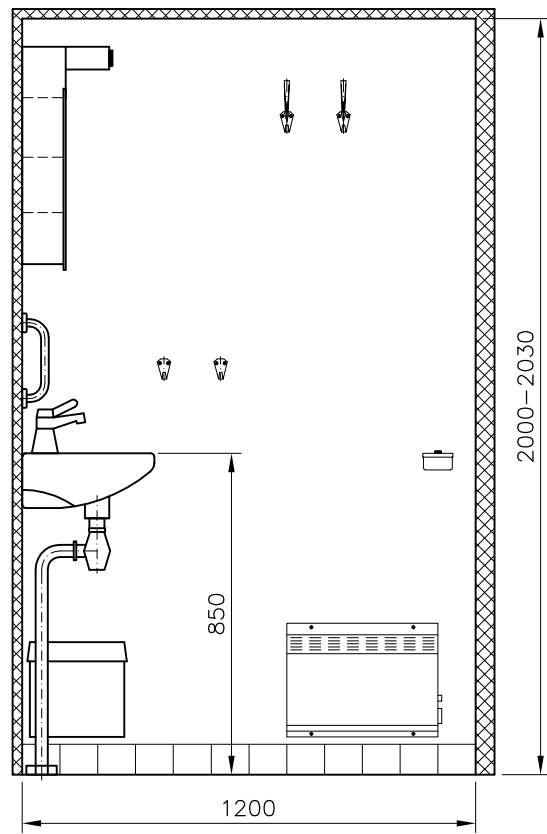
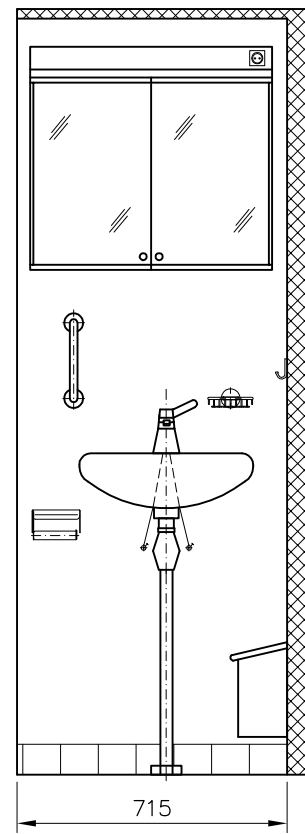


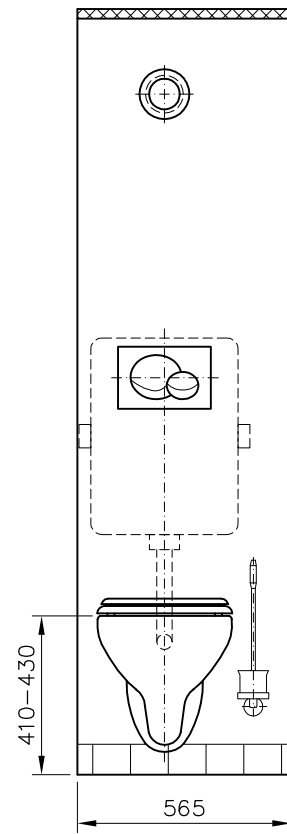
View "A"
TYPE I



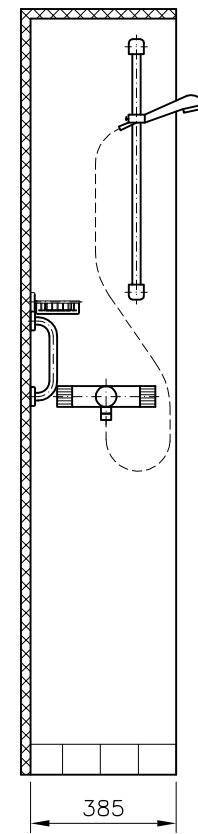
View "B"
TYPE I and II



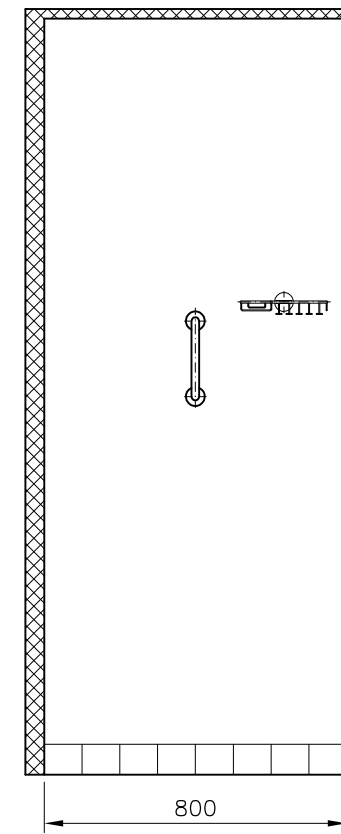
View "C"
TYPE I and II



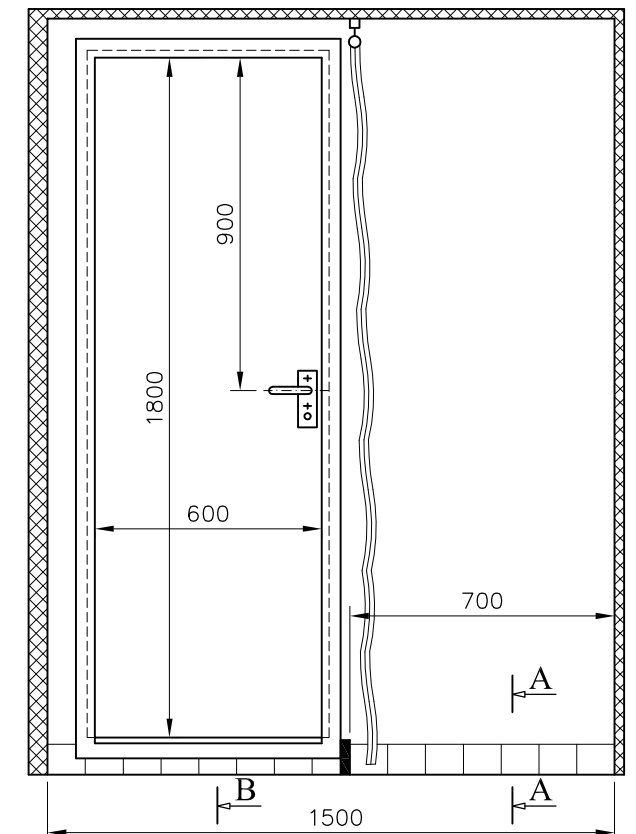
View "D"
TYPE I and II



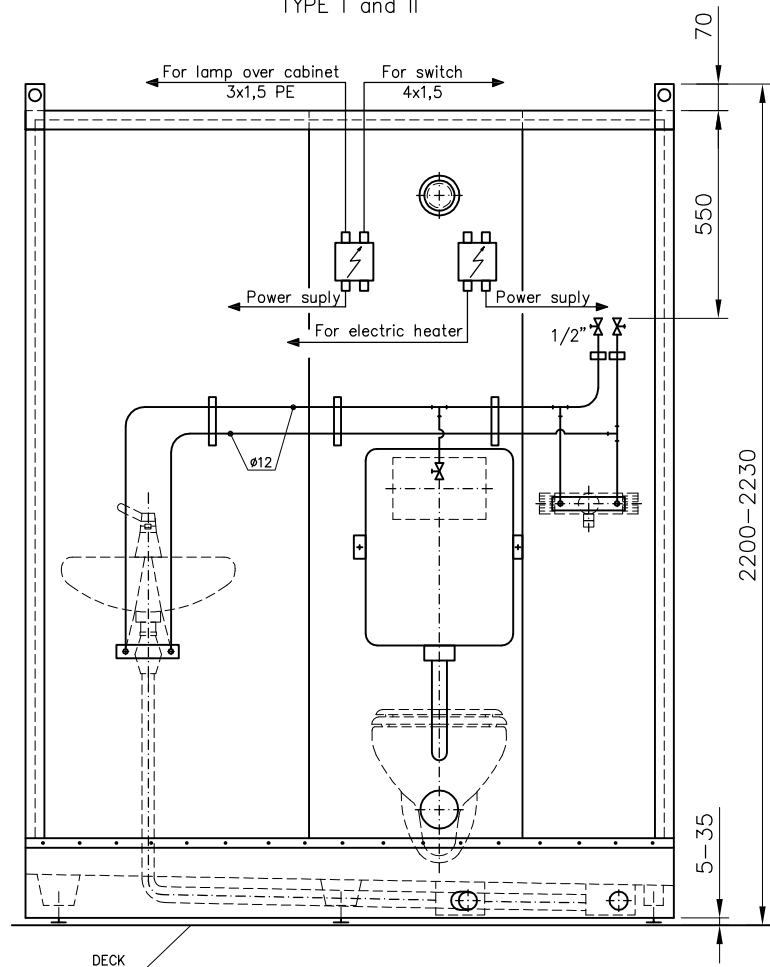
View "E"
TYPE I and II



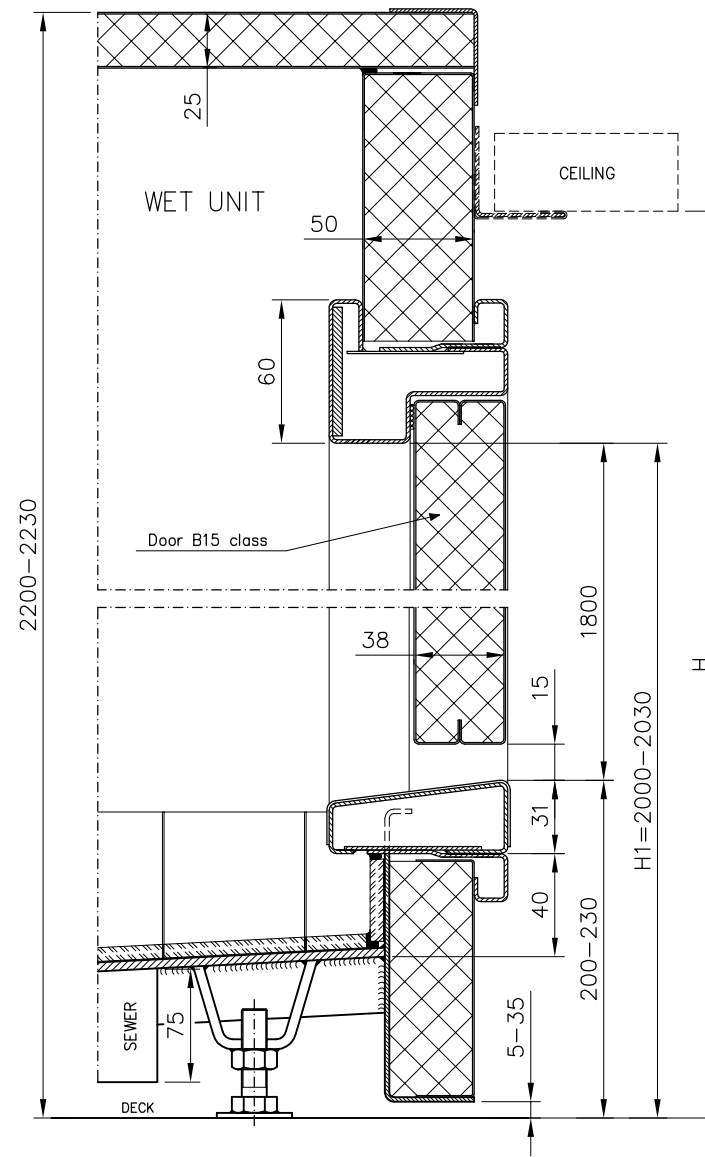
View "F"
TYPE I



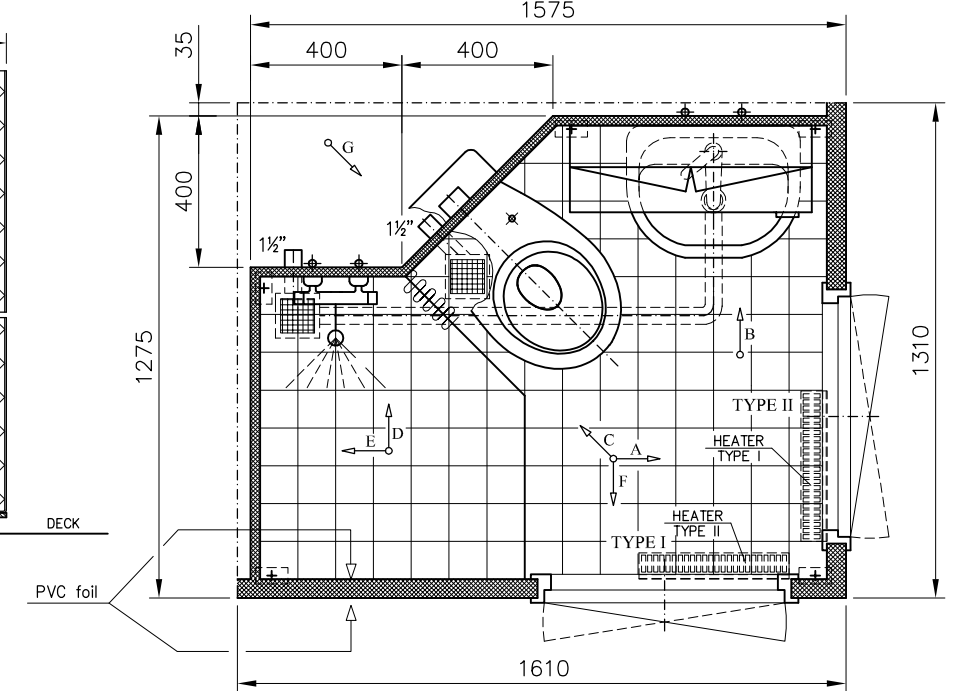
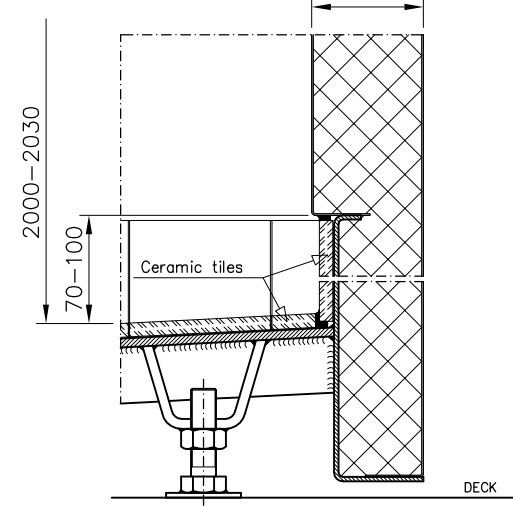
View "G"
TYPE I and II



B-B



A-A



MASS OF THE WET UNIT
ABOUT DIM. 1610x1310 mm

MASS [kg]
584



LUBMOR Ltd.

Wieleńska 1 Str. 64-980 Trzcianka
phone +48/67/216-22-44
fax +48/67/216-59-40
e-mail: konstrukcja@lubmor.pl
marketing@lubmor.pl
www.lubmor.pl

**STEEL WET UNIT
B15 CLASS**

**KK24-12
35-800/C**

STEEL WET UNIT B15 CLASS

APPROPRATION

Steel wet unit B15 class with shower is designed for installation on the ships as complete bath room in cabins of crew or passengers. This wet unit can also be installed in accommodation of land objects.

EXECUTION

Body of wet unit is made from unvisible side of the walls with thick. 25 mm built of cassettes filled with mineral wool. From living quarter the body of wet unit is made of wall thick. 50 mm. Inside cassettes of all walls are covered with PVC foil or ceramic tiles.

Floor is divided for shower and general part. It is covered with anti-slip ceramic tiles. It is stiffened from bottom.

A ceiling is made of cassettes thick. 25 mm, insulated inside with mineral wool. Inside cassettes are covered with PVC foil or lacquer coating.

Door B15 class installed in wet unit has got door-leaf made of PVC covered steel sheets and filled with mineral wool or mineral plate covered both sides with decorative laminate.

Wet unit can be equipped with elements as follows:

- | | |
|------------------------------------------|-------------------------------|
| - hanged wash-bowl, | - storm grips, |
| - wash-basin with tap, | - hooks for towel, |
| - shower tap with or without thermostat, | - shower curtain, |
| - exhaust Ø 80 mm or Ø 100 mm, | - hooks for clothes, |
| - electric heater 400W or floor heating, | - basket for soap and sponge, |
| - grip for toilet paper + spare grip, | - basket for soap, |
| - toilet cabinet or mirror, | - WC brush, |
| - lamp with socket for razor, | - other acc. to wishing |

System for cold and warm water is insulated against perspiration. Pipes inside wet unit are covered of nickel-chrom coating.

DELIVERY RANG

Delivery comprises complete equipped wet unit suitable for connection to water, electric and ventilation system. Wet unit can be delivered as assembled or in parts (in case repairing of ship when transport of assembled unit onboard is impossible). In this case assembly of the wet unit can be made by customer or by Lubmor.

PACKING, TRANSPORT, STORAGE

Wet units are packed with foil, entrance door and external wall covered with PVC foil are protected with hardboard. The goods can be displaced by means fork-lift trucks or cranes. The units must be stored in roofed warehouses. The units delivered in parts are packed with wooden boxes.

DIVISION, MARKING AND FINISHING

Varieties:

- R – right-hand unit (acc. to drawing)
- L – left-hand unit (as reflected)

Types:

- I – acc. to drawing
- II – acc. to drawing

Direction opening of door:

- A – L/R – door openable outside (left or right)

Kind of flushing:

- g – gravitational system
- v – vacuum system

On catalogue card is showed by way of example solution of wet unit. The orderer can agree other dimensions, shape, execution, equipment etc.

EXAMPLE OF MARKING

Steel wet unit B15 class of dimensions 1310x1610 mm, right-hand, type I, with left-hand door opened outside, with gravitational system.

STEEL WET UNIT B15 CLASS

1310x1610-P-IA-L-g acc. to catalogue card no KK 24-12/35-800/C

This catalogue card corresponds with drawing series N24-07/35-800.