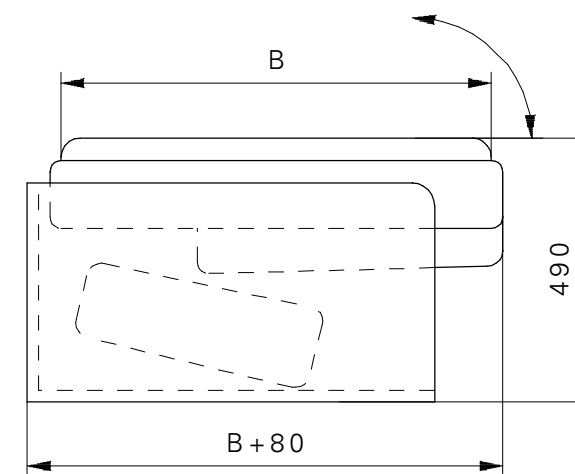
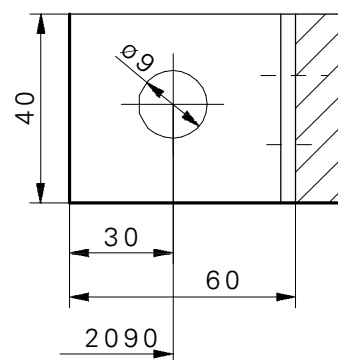


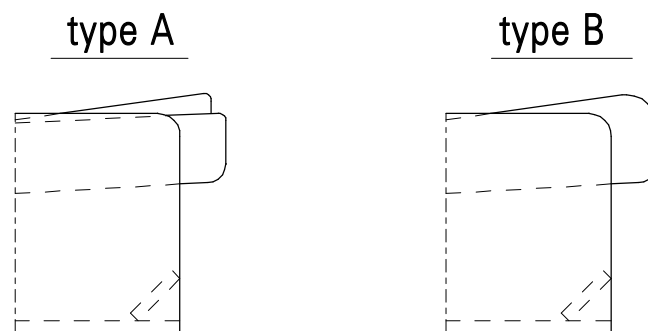
**Night disfolding**



**Detail A  
installation holes**



**Detail B**



Width B	Mass (kg)
700	65
750	67
800	69
900	73

**LUBMOR Ltd.**  
 ul. Wieleńska 1, 64-980 Trzcianka  
 tel. +48/67/216-22-44  
 fax +48/67/216-59-40  
 e-mail.lubmor@lubmor.pl  
 www.lubmor.pl

SOFA - BED
KK 24-07  
45-003

## **SOFA – BED**

### **APPROPRATION**

This sofa – bed is designed for living accommodations mainly on the ships.

### **TECHNICAL DESCRIPTION**

The design is provide for fitting near the vertical and horizontal wall.

There was used a turn and folding mechanism, which acts as :

- day folding – seat with sofa – bed;
- night disfolding – bed.

Settlement of above mentioned position is carried out through a gas springs and block systems.

### **EXECUTION**

Bearing desgn is made of aluminium.

Mattress and upholstered materials are made of slow – burning onces.

### **TYPES OF SEAT**

- A - seat in mattress
- B - full upholstering

### **FINISHING**

M - all metal elements are stoved or poudered acc. to RAL

### **UPHOLSTERY**

W - fabric acc.to customer's wishes

### **EXAMPLE OF MARKING**

Sofa – bed of width 800 mm seat mattress type A, all elements painted RAL 7035, fabric FELIX No 15.

SOFA – BED 800 – A – M7035 – W 15 (FELIX), acc. to catalogue card no **KK 24-07/45-003**.

This catalogue card corresponds with drawing no N24-07/45-003.