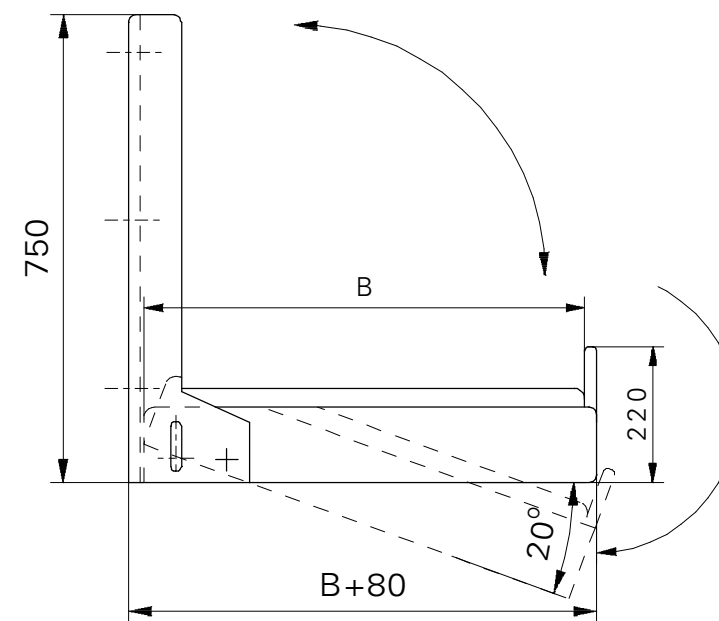
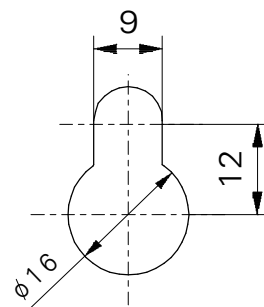


**Night disfolding**



**Detail A  
fixing holes**



Width B	Mass (kg)
700	41
750	43
800	45
850	47



**LUBMOR Ltd.**

ul. Wieleńska 1, 64-980 Trzcianka  
 tel. +48/67/216-22-44  
 fax +48/67/216-59-40  
 e-mail: lubmor@lubmor.pl  
 www.lubmor.pl

**PULLMAN**

**KK 24-07  
45-004**

## **PULLMAN**

### **APPROPRATION**

This pullman is designed for living accommodations mainly on the ships.

### **TECHNICAL DESCRIPTION**

The design of pullman is provided for fitting it near the vertical walls.

Pullman acts as :

- day folding – vertical bed is folded near the wall;
- night disfolding – a bed turns of 90°;

Settlement of above mentioned position is carried out through a gas springs and block systems.  
A bed is protected with the belts.

### **EXECUTION**

Bearing design is made of steel and aluminium.

Mattress and upholstered materials are made of slow – burning onces.

### **FINISHING**

M - all metal elements are stoved or poudered in colour acc. to RAL

W- the furniture fabric acc. to the customer wish

### **EXAMPLE OF MARKING**

Pullman of width 800, with all elements painted in colour 7035 acc. to RAL,  
fabric FELIX No 15.

PULLMAN – 800 – M 7035 – W15 (FELIX) acc. to catalogue card **KK 24-07/45-004**.

This catalogue card corresponds with drawing no N 24-07/45-004.