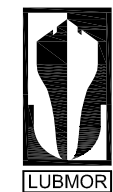
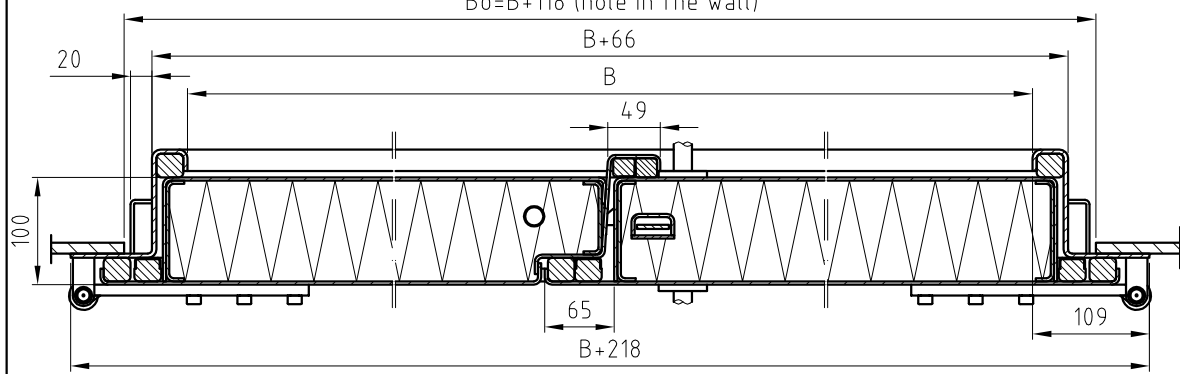


$B_0 = B + 118$ (hole in the wall)



LUBMOR Ltd

Wieleńska 1 Str., 64-980 Trzcianka
 phone +48/67/216-22-44
 fax +48/67/216-59-40
 e-mail: lubmor@lubmor.pl
 www.lubmor.pl

**DOOR CLASS H120
 DOUBLE-LEAF**

**KK24-14
 34-911**

DOOR CLASS H120 DOUBLE-LEAF

APPROPRIATION

The door has been designed and made acc. to SOLAS 7 and FPF Code.

These doors are assigned for closing the passages in bulkheads as protection against fire with high temperatures of required fire protection H60-H120 inside all floating and land objects.

The door to be welded to the wall class H.

EXECUTION

The door-frame is made of steel plate thick. 4mm.

The door-leaf is made of cassetes of steel sheet thick. 2mm, inside frame of channel profile and filled with ceramic wool.

Active door-leaf is equipped with 3-point mortise lock. Non active door-leaf is equipped with two way bolt. The door is also equipped with eight hinges and six pins anti-forcing open.

The hinges are welded to the door-frame and screwed to the door-leaf.

This door is suitable for installation of self-closer.

DELIVERY RANG

The doors are delivered without self-closers, cylinders, electromagnetic door-holders and other installation elements.

PACKING, TRANSPORT, STORAGE

The doors are protected against mechanical damages and suitable for transport in containers or roofed tracks.

The goods placed on the pallets with quantity max. 4 pcs. can be displaced by means of fork-lift trucks and the cranes. They have to be stored in roofed warehouses.

DIVISION, MARKING AND FINISHING

Varieties :

P - Right-hand door (as is showed on the drawing, right door-leaf is activ)

L - Left-hand door (as reflected)

The equipment :

- Door with full lock escutcheon (isn't described in marking)

Wp - Door with lock escutcheon suitable for installation cylinder

Types (depended on finishing of the door-leaf) :

M - z/p- Painted door-leaf acc.to RAL catalogue

z - Colour from hinge side

p - Colour from stop side

EXAMPLE OF MARKING

Double-door class H120 of c.o. H x B – 2000 x 1700, variety P – right-hand, with lock and escutcheon suitable for installation cylinder, painted door-leaf acc. to RAL – M, from hinge side z – colour 1072, from stop side p – colour 1254. The door-frame – primed.

DOUBLE-DOOR CLASS H120 2000x1700 – P – Wp – M 1072/1254 – primed acc. to catalogue card **KK24-14/34-911**

This catalogue card meets drawing no N24-13/34-911.