

LUBMOR Ltd.

ul. Wieleńska 1, 64-980 Trzcianka
 tel. +48/67/216-22-44
 fax +48/67/216-59-40
 e-mail: marketing@lubmor.pl
 e-mail: konstrukcja@lubmor.pl

DOOR LIMITER

**KI 24-98
 34-138**

DOOR LIMITER

APPROPRATION

The good is designed for mounting it on B15 class door and blocking the door - leaf opened of 90° .

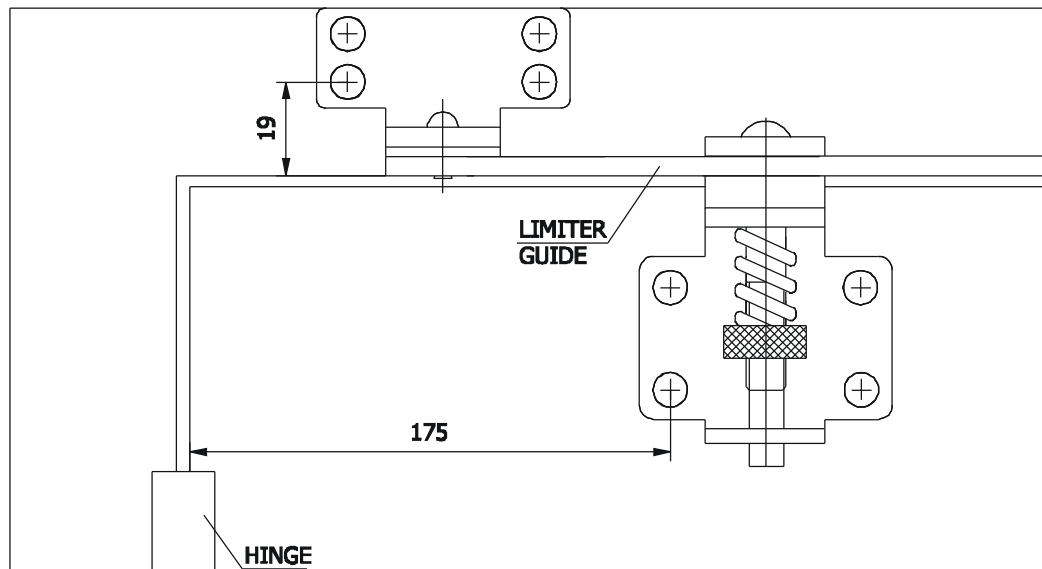
MOUNTING

Four mounting holes dia 3,6 mm should be drilled on the door - frame for self - tapping screws A3,9 x 13 acc. to PN-93/M-83114 .

On the door-leaf should be drilled four holes dia 6,5 mm for the twist .

Mounting of the limiter will be carried out properly if the limiter guide be settled in horizontal position under top edge of door - leaf .

The place of mounting is shown on below drawing .



EXECUTION

The main parties of the limiter are made of stainless steel .

All washers are made of plastic type tarnamid .

DELIVERY RANG

Delivery set includes the door limiter with twists for mounting it to the door - leaf but without self - tapping screws A3,9 x 13 .

PACKING , TRANSPORT , STORAGE

The good is protected against mechanical damages in packing foil .

EXAMPLE OF DESIGNATION

DOOR LIMITER acc.to information card no KI 24-98/34-138 .

This card is correspond with drawing no N 24-98/34-138 .