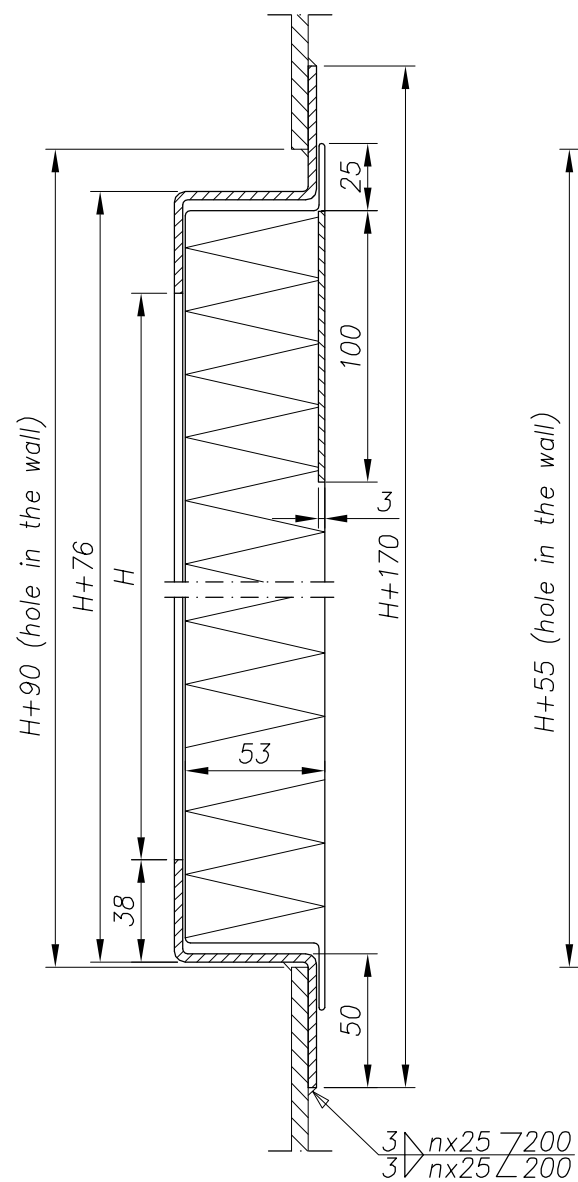
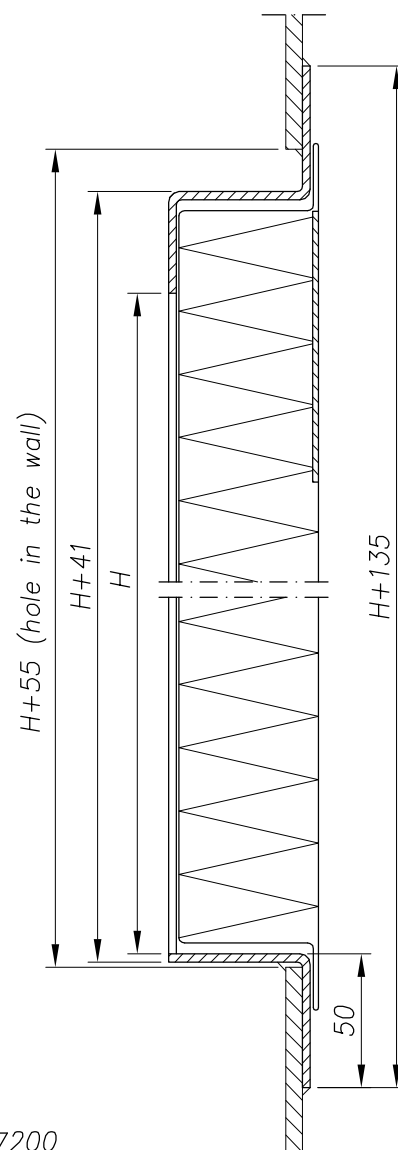


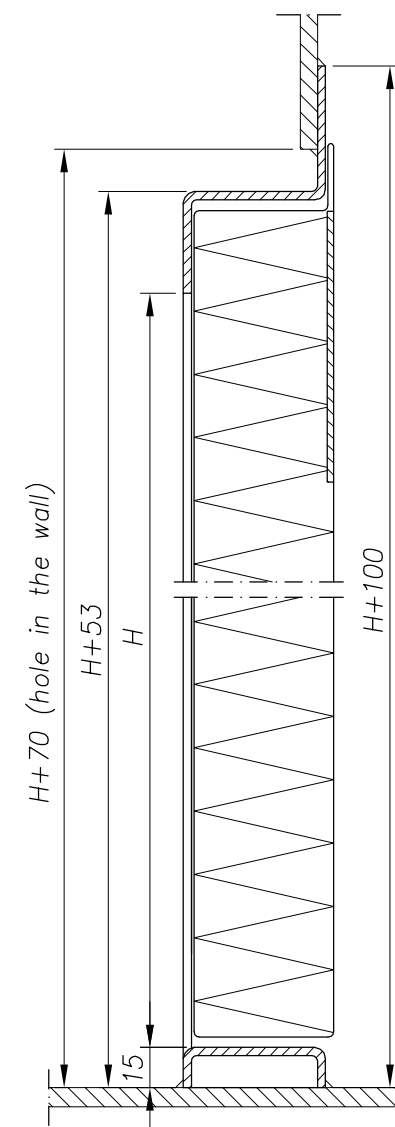
Type I



Type II

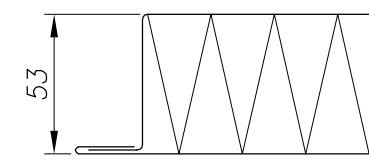


Type III

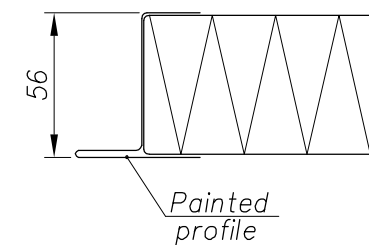


Kinds of the door-leaves

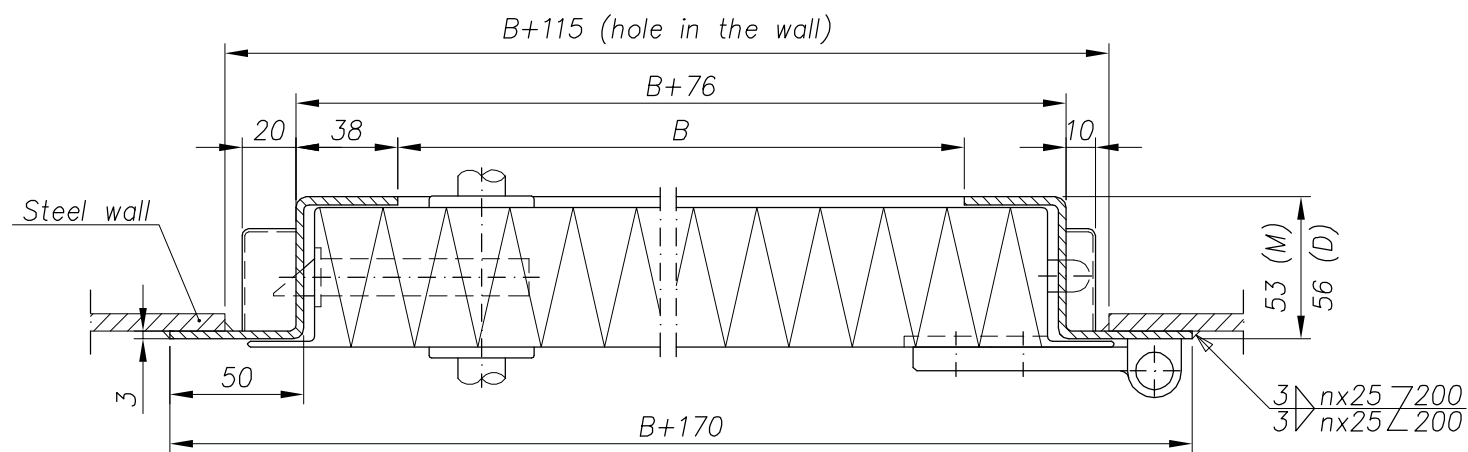
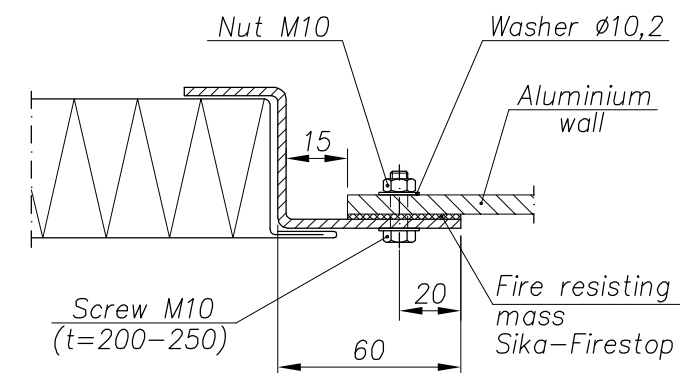
M
(painted)



D
(covered with PVC foil)



Door-frame type A
(screwed)



H	B
1700	600
1750	650
1800	700
1850	750
1900	850
1950	900
1950	950
2000	1000



LUBMOR Sp. z o.o.

ul. Wieleńska 1, 64-980 Trzcianka
tel. +48/67/216-22-44
fax +48/67/210-19-19
e-mail: lubmor@lubmor.pl
www.lubmor.pl

**DOOR CLASS A0-A60
WITH WINDOW**

**KK 24-12
34-762**

DOOR CLASS A0-A60 WITH WINDOW

APPROPRIATION

The door class A0-A60 is designed for closing the passageways in fire proof divisions, engine casings and stair closures of required fire protection A0-A60 inside all float and land objects.

The door to be welded or screwed to the bulkhead class A.

EXECUTION

Specially profiled door – frame is made of 3 mm cold rolled stress free steel plate. The door – leaf is made of two cassettes of steel sheet as a box construction. The inside and outside cassettes form a closed space which is insulated of mineral wool. Inside door – leaf has also a steel frame made of channel profile. Mineral wool ensures thermal insulation of the door – leaf.

Design of the door – leaf allows to make it in varieties as below :

- painted of stove enamels (M),
- covered of PVC foiled galvanized steel sheet (D).

The door is equipped with mortise lock, two hinges and two anti-prize pins. Stiffening top part of the door – leaf with 3mm steel plate allow to mount a self – closing devices and an electromagnetic door holders. The door can be made with the pass for fire hose of dimensions 150x150 mm. The door in the pass is hanged on stainless steel spring hinge.

The door is equipped with window with glass A60 class. Maximum dimensions of the window are 600mm x 400mm or Ø400mm.

DELIVERY RANG

Delivery rang includes the doors without self – closing devices, electromagnetic door holders, patent cylinders, fixing elements for screwing and fire resisting mass.

PACKING, TRANSPORT, STORAGE

The doors are protected against mechanical damages and can be transported in containers. The goods are placed on the pallets with wooden separators, can be displaced by means of the cranes and fork – lift trucks. They must be stored in roofed accommodations.

DIVISION, MARKING AND FINISHING

Varieties :

P - right-hand door (acc. to drawing)

L - left-hand door (as reflected)

Types (dependable on the sill) :

I - door with high sill - bottom of door – leaf with back part

II - door with lower sill - bottom of door – leaf with back part

III - door without sill - bottom of door – leaf without back part

Kinds of the door – leaves (dependable on door – leaf finishing) :

M - z/p - door – leaf painted acc. to RAL catalogue

D - z/p/d - door – leaf covered with decorative plate of PVC foil acc. to DOBEL or GISLAVED catalogue

z - colour from hinge side

p - colour from the other side

d - colour of profile around door-leaf for type D

Kinds of the door – frames :

Z - welded to the bulkhead class A - primed

A - screwed to the bulkhead class A – painted acc. to RAL catalogue

Equipment :

- door with full lock plate (without marking)

Wp - door with lock plate suitable for cylinder

Pw - door with pass for fire hose

EXAMPLE OF DESIGNATION

The door class A60 clear opening HxB – 1800x800, right – hand variety (**P**), with door plate suitable for cylinder (**Wp**), with pass for fire hose (**Pw**), with screwed door – frame and painted RAL 8004 (**A/8004**), door with high sill (**I**), door-leaf covered of PVC foil (**D**), from hinges side (**z**) colour 1205, from the other side (**p**) colour 1340, door – leaf profile (**d**) painted RAL 9003.

DOOR CLASS A60 1800x800-P-Wp-Pw-A/8004-I-D z1205/p1340/d9003 acc. to catalogue card no **KK24-12/34-762**.

This catalogue card corresponds with drawing no N24-09/34-762.